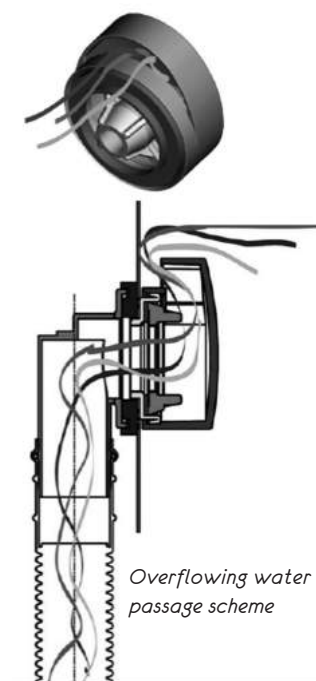
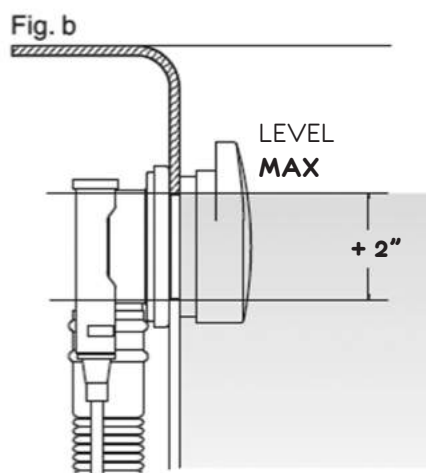
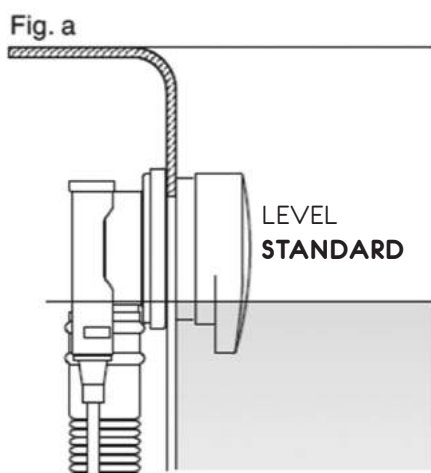


# Freestanding Oval Bathtubs

## Deep Immersion Feature

aquatica®

*Function, Form & Fashion*



The new Aquatica overflow system allows to adjust the water level through the bath handle. The ability to increase the water level is achieved by adjusting the handle position during the installation.

The max level of the water level can be achieved by adjusting the handle upwards (**Fig. b**). The lowest water level is with the handle downward (**Fig. a**).

The new Aquatica overflow system is the result of the combination of two elements: handle and overflow.

This system allows the waste plug opening and closing and offers the possibility to adjust the overflowing level in bathtubs.



*The mechanism consists of a handle with an opening on the back for releasing the overflowing water.*

aquatica®

*Function, Form & Fashion*